

pid: 2022019  
author: marble

**WTF eG**

Sheet:  
File: Alternator\_Motor\_Driver.kicad\_pcb

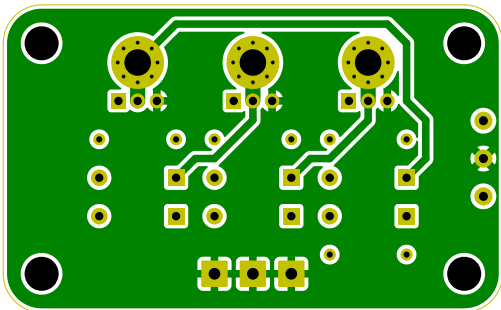
**Title: Alternator Motor Driver**

Size: A4  
KiCad E.D.A. kicad 6.0.5

Date:

**Rev: 1.1**

Id: 1/1



pid: 2022019  
author: marble

**WTF eG**

Sheet:

File: Alternator\_Motor\_Driver.kicad\_pcb

**Title: Alternator Motor Driver**

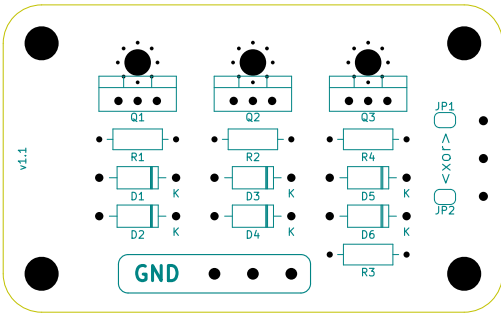
Size: A4

Date:

**Rev: 1.1**

KiCad E.D.A. kicad 6.0.5

Id: 1/1



pid: 2022019  
 author: marble

**WTF eG**

Sheet:  
 File: Alternator\_Motor\_Driver.kicad\_pcb

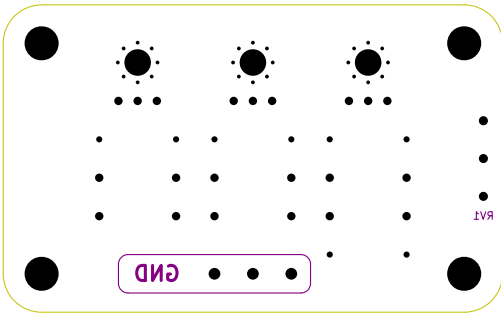
**Title: Alternator Motor Driver**

Size: A4  
 KiCad E.D.A. kicad 6.0.5

Date:

**Rev: 1.1**

Id: 1/1



pid: 2022019  
author: marble

**WTF eG**

Sheet:  
File: Alternator\_Motor\_Driver.kicad\_pcb

**Title: Alternator Motor Driver**

Size: A4  
KiCad E.D.A. kicad 6.0.5

Date:

**Rev: 1.1**

Id: 1/1